
17

ELECTRO

JOYSTICKS	PAGINA 2
DRUKSCHAKELAARS / SENSOREN	PAGINA 7
NIVEAUSCHAKELAARS	PAGINA 11

1
2
3
4
6
7
8
9
10
11
12
13
14
15
16
17
18
19
20
21

JOYSTICKS

TECHNISCHE DATA

Supply voltage	U_{DC}	11- 30 UDC
	Max. ripple	5%
Current consumption		< 80 mA
Max. force		50 N
Output voltage (U_s)	U_s	0.25 → 0.75
	U_{DC}	
Neutral voltage (U_s)	U_s	0.5
	U_{DC}	
Output signal	Max. load	Two parallelconnected PVEs
	Min. load impedance to $0,5 \cdot U_{DC}$	6 k Ω
Signal current max.	$U_{DC} = 12 V$	$\pm 0.6 mA$ (resistive)
	$U_{DC} = 24 V$	$\pm 1.2 mA$
Neutral position switch max. current	$U_{DC} = 12 V$	2 A
	$U_{DC} = 24 V$	1 A
On - Off - On switch max. current	$U_{DC} = 12 V$	0.7 A
	$U_{DC} = 24 V$	0.35 A
Ambient temperature		- 30 to + 60°C
Enclosure to IEC 529	Over mounting flange	IP 44
	Under mounting flange	IP 23

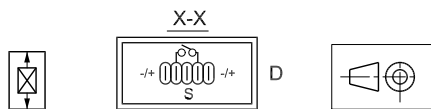
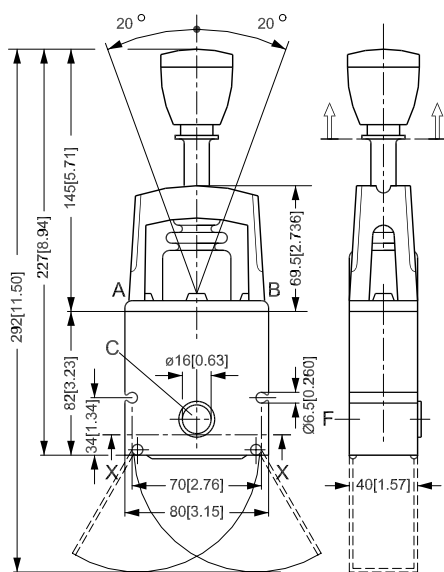
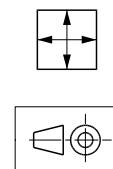
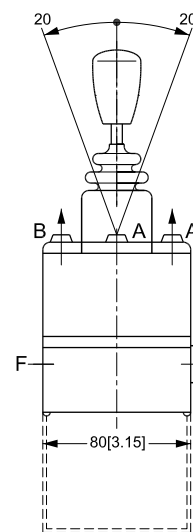
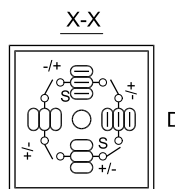
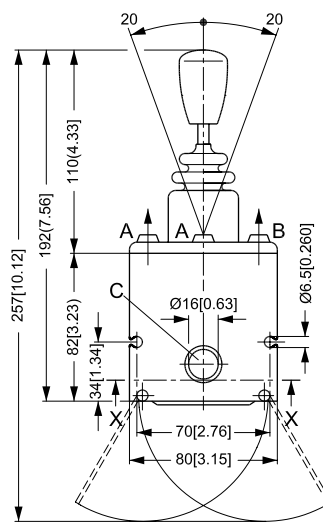
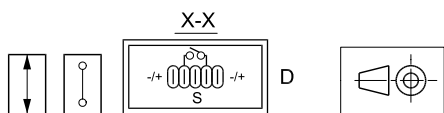
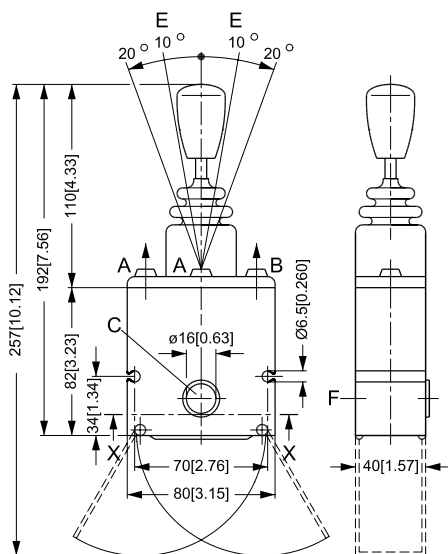


ARTIKEL	FUNCTION	SYMBOL	VERSION	DIMENSION	GEWICHT
				(MM)	(KG)
155B4210	1 Proportional		Standard	40 x 80 x 192	0,27
155B4218			Short	40 x 80 x 135	0,24
155B4211	1 Proportional		Standard	40 x 80 x 235	0,40
155B4212	2 Proportional		Standard	80 x 80 x 192	0,38
155B4219			Short	80 x 80 x 135	0,32
155B4206	1 On - Off - On		Standard	40 x 80 x 192	0,25

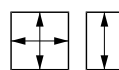
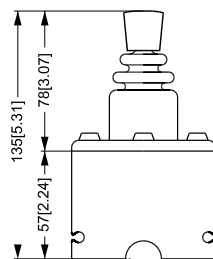
....

TECHNISCHE TEKENING

JOYSTICK PVRES



155B404.11



- A, B = Oil flow adjustment
- C = Deflection block
- D = Flat pin A 6.3 - 0.8
- E = Max. travel for on-off-on version
- F = Ø17 hole for PG 11 screwed cable entry

JOYSTICK PVREL



TECHNISCHE DATA

Supply voltage	U_{DC}	11- 30 UDC
	Max. ripple	5%
Current consumption		< 80 mA
Max. force		100 N
Output voltage (U_s)	U_s	0.25 → 0.75
	U_{DC}	
Neutral voltage (U_s)	U_s	0.5
	U_{DC}	
Output signal	Max. load	Two parallelconnected PVEs
	Min. load impedance to $0,5 \cdot U_{DC}$	6 k Ω
Signal current max.	$U_{DC} = 12 V$	$\pm 0.6 mA$ (resistive)
	$U_{DC} = 24 V$	$\pm 1.2 mA$
Neutral position switch max. current	$U_{DC} = 12 V$	2 A
	$U_{DC} = 24 V$	1 A
Ambient temperature		- 30 to + 60°C
Enclosure to IEC 529	Over mounting flange	IP 67
	Under mounting flange	IP 65

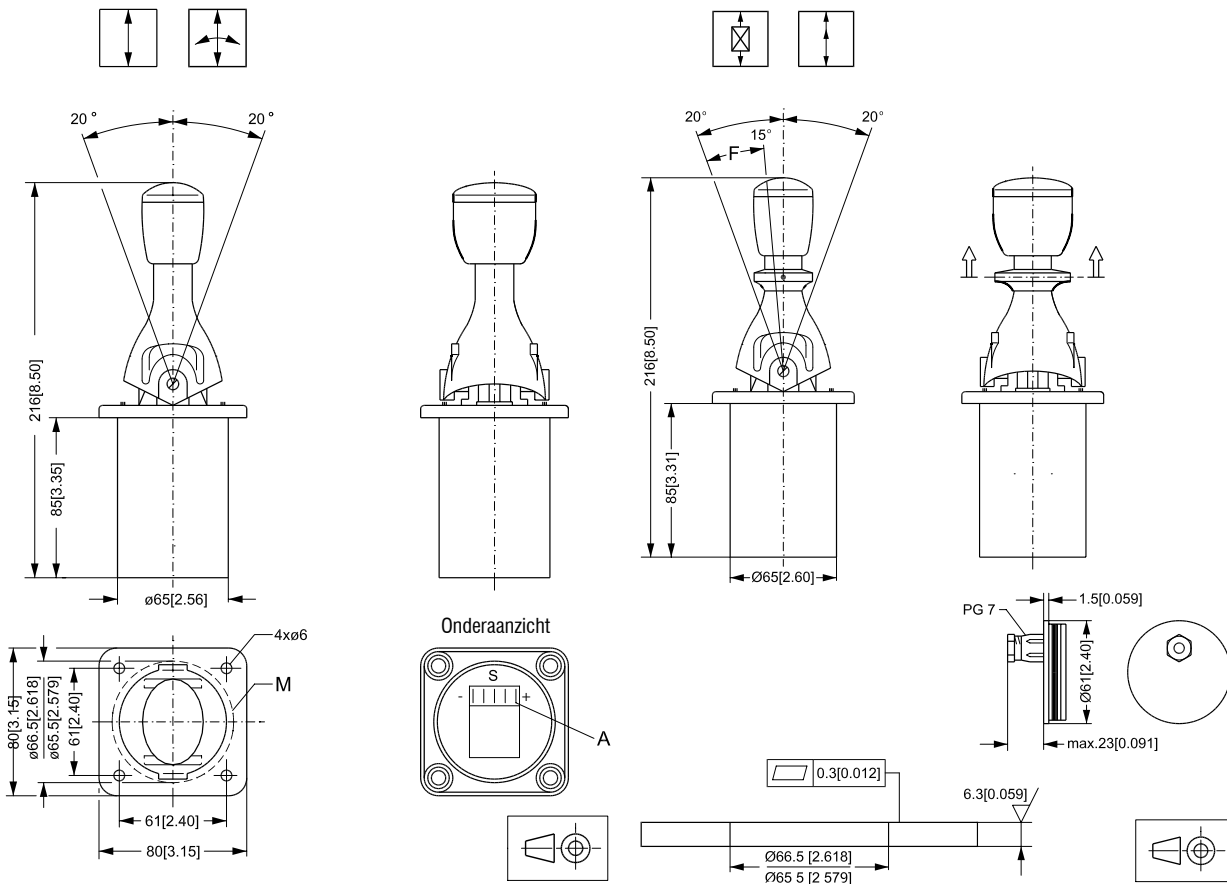


ARTIKEL		FUNCTION	SYMBOL	GEWICHT
WITHOUT NEUTRAL POSITION SWITCH	WITH NEUTRAL POSITION SWITCH			(KG)
155U2601	155U2605	Spring centred		0.32
155U2602	155U2606	With detent		0.32
155U2603	155U2607	With neutral position lock		0.36
155U2604	155U2608	For float position		0.36

....

TECHNISCHE TEKENING

JOYSTICK PVREL



F = Float position
 A = Socket A 6.3-0.8
 M = Assembly aperture

DRUKSCHAKELAARS / SENSOREN

1

2

3

4

5

6

7

8

9

10

11

12

13

14

15

16

17

18

19

20

21

DRUKSCHAKELAAR

0159

HYDRAULISCH SYMBOOL



ARTIKELNUMMER SAMENSTELLING



TABEL 1: TOLERANCE AND ADJUSTMENT RANGE

NUMMER	DRUK MAX.	DRAAD	PRESSURE SWITCHES	TOLERANCE	ADJUSTMENT RANGE
	BAR			BAR	BAR
426	200*	G 1/4 binnendraad	Diaphragm	± 0.2 – 0.3	0.2 – 2
427	200*	G 1/4 binnendraad	Diaphragm	± 0.2 – 0.5	0.5 – 5
428	200*	G 1/4 binnendraad	Diaphragm	± 0.5	1 – 10
429	200*	G 1/4 binnendraad	Diaphragm	± 1.0	2 – 20
430	200*	G 1/4 binnendraad	Diaphragm	± 3.0	5 – 50
431	200*	G 1/4 binnendraad	Diaphragm	± 3.0 – 5.0	10 – 100
432	600*	G 1/4 binnendraad	Piston	± 3.0 – 5.0	10 – 100
433	600*	G 1/4 binnendraad	Piston	± 5.0 – 7.0	25 – 250
434	600*	G 1/4 binnendraad	Piston	± 5.0 – 9.0	40 – 400

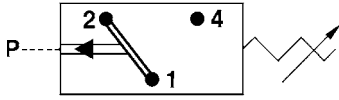
* = Static pressure, dynamic pressures should be 30 to 50% lower. These values refer to the hydraulic or pneumatic part of the pressure switch.

TABEL 2: DIAPHRAGM/SEAL MATERIAL

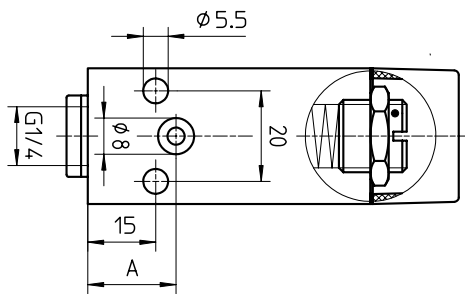
NUMMER		
1001	NBR	Hydraulic / machine oil, turpentine, heating oil, air etc.1
2001	EPDM	Brake fluid, ozone, acetylene, hydrogen etc.
3001	FKM	Hydraulic fluids (HFA, HFB, HFC, HFD), petrol/gasoline etc.

DRUKSCHAKELAAR 0161

HYDRAULISCH SYMBOOL



TECHNISCHE TEKENING



ARTIKELNUMMER SAMENSTELLING



TABEL 1: TOLERANCE AND ADJUSTMENT RANGE

NUMMER	DRUK MAX.	DRAAD	A (MM)	PRESSURE SWITCHES	TOLERANCE	ADJUSTMENT RANGE
	BAR				BAR	BAR
436	200*	G 1/4 binnendraad	15	Diaphragm	± 0.2 – 0.3	0.2 – 2
437	200*	G 1/4 binnendraad	15	Diaphragm	± 0.2 – 0.5	0.5 – 5
438	200*	G 1/4 binnendraad	15	Diaphragm	± 0.5	1 – 10
439	200*	G 1/4 binnendraad	15	Diaphragm	± 1.0	2 – 20
440	200*	G 1/4 binnendraad	15	Diaphragm	± 3.0	5 – 50
441	200*	G 1/4 binnendraad	19,5	Piston	± 3.0 – 5.0	10 – 100

* = Static pressure, dynamic pressures should be 30 to 50% lower. These values refer to the hydraulic or pneumatic part of the pressure switch.

Zie **TECHNISCHE TEKENING** voor de plaatsing van de maten

TABEL 2: DIAPHRAGM/SEAL MATERIAL

NUMMER		
1001	NBR	Hydraulic / machine oil, turpentine, heating oil, air etc.1
2001	EPDM	Brake fluid, ozone, acetylene, hydrogen etc.
3001	FKM	Hydraulic fluids (HFA, HFB, HFC, HFD), petrol/gasoline etc.

DRUKSCHAKELAAR

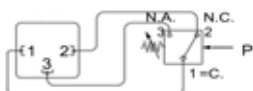
F4

TECHNISCHE DATA

Switching pressure range (bar)	10 > 100
Pressure max. (bar)	300
Hydraulic connection	1/8 NPT
Type of electric connection	Connector 30 x 30
Length (mm)	69



HYDRAULISCH SYMBOOL



ARTIKELNUMMER SAMENSTELLING



NIVEAUSCHAKELAARS

1

2

3

4

5

6

7

8

9

10

11

12

13

14

15

16

17

18

19

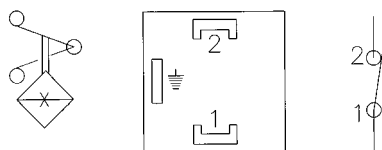
20

21

NIVEAUSCHAKELAAR

LM1FA

ELEKTRISCH SYMBOOL

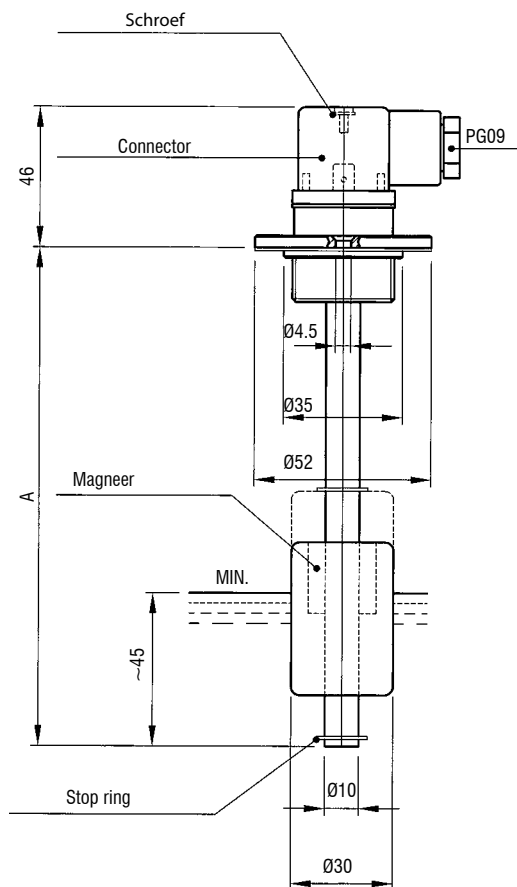


NUMMER	A
	(MM)
LM1FA100	100
LM1FA150	150
LM1FA200	200
LM1FA250	250
LM1FA300	300
LM1FA350	350
LM1FA400	400
LM1FA450	450
LMFA500	500

Zie **TECHNISCHE TEKENING** voor de plaatsing van de maten
Afwijkende maten op aanvraag

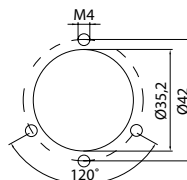
TECHNISCHE TEKENING

NIVEAUSCHAKELAAR LM1FA



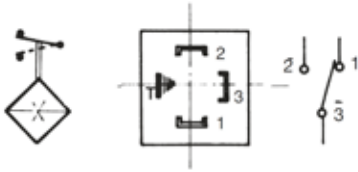
MONTAGEFLENS

NIVEAUSCHAKELAAR LM1FA



NIVEAUSCHAKELAAR INSTELBAAR LM2BF

ELEKTRISCH SYMBOOL



NUMMER

A

(MM)

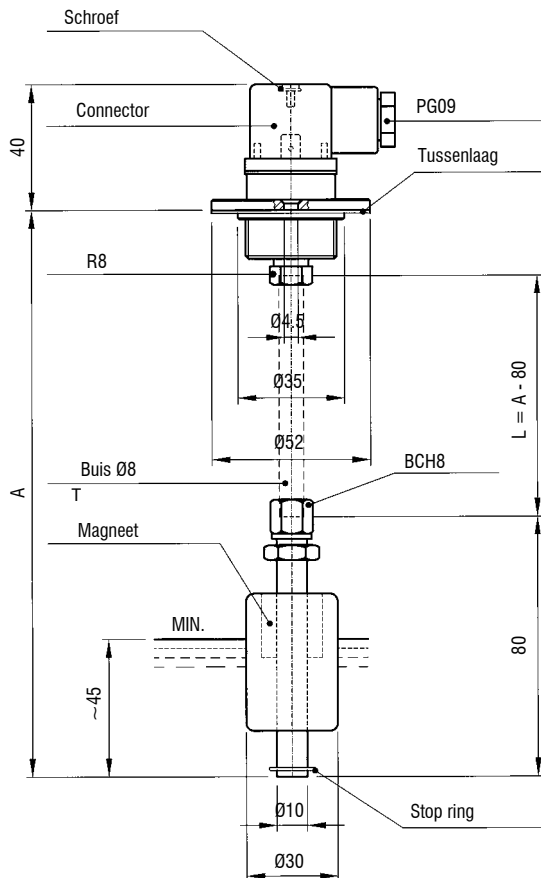
LM2BF

Variabel

Zie **TECHNISCHE TEKENING** voor de plaatsing van de maten

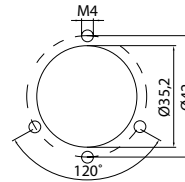
TECHNISCHE TEKENING

NIVEAUSCHAKELAAR LM2BF



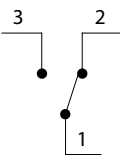
MONTAGEFLENS

NIVEAUSCHAKELAAR LM2BF



NIVEAUSCHAKELAAR INSTELBAAR RL-G1

ELEKTRISCH SYMBOOL



NUMMER

L

(MM)

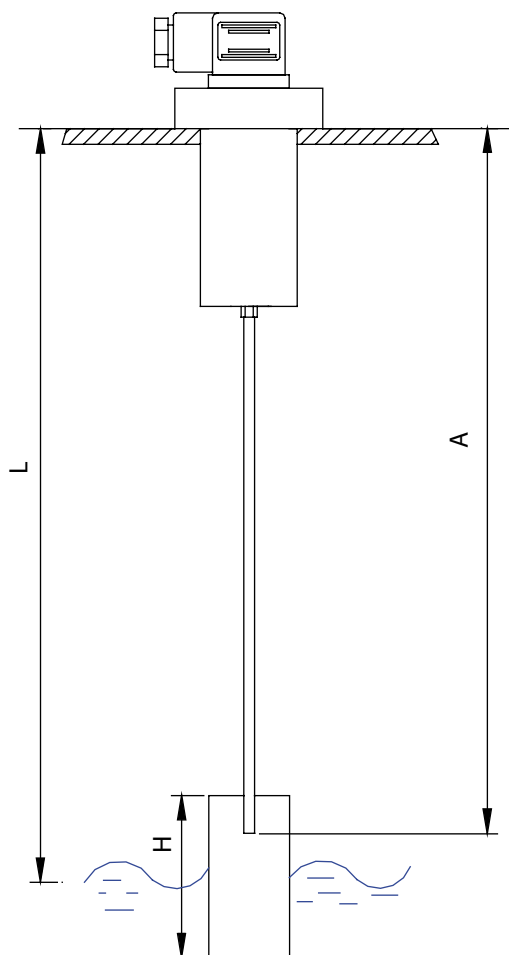
RL/G1-F2-S2

instelbaar max. 500

Zie **TECHNISCHE TEKENING** voor de plaatsing van de maten

TECHNISCHE TEKENING

NIVEAUSCHAKELAAR INSTELBAAR RL-G1



MONTAGEFLENS

NIVEAUSCHAKELAAR INSTELBAAR RL-G1

